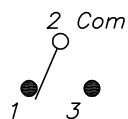


RECOMMENDED PCB LAYOUT

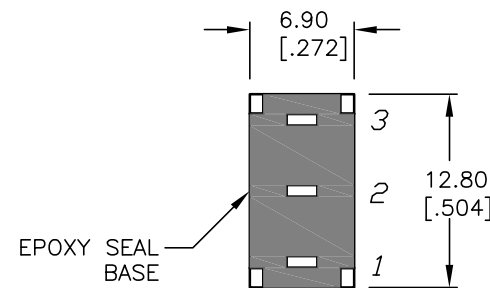
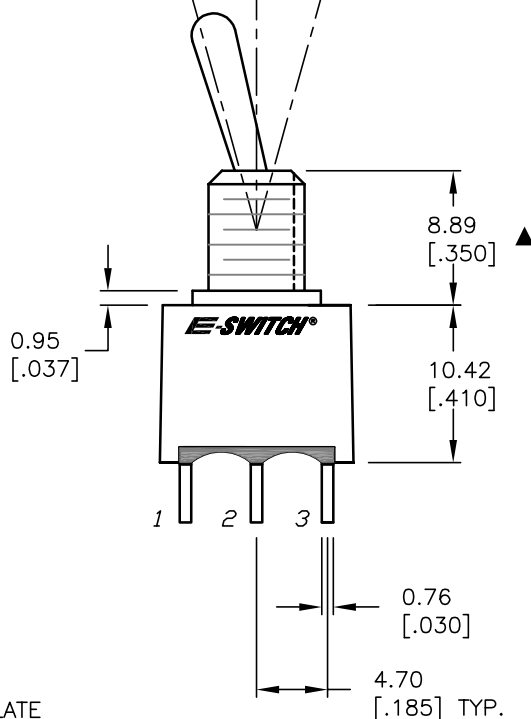
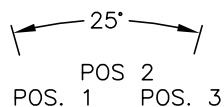
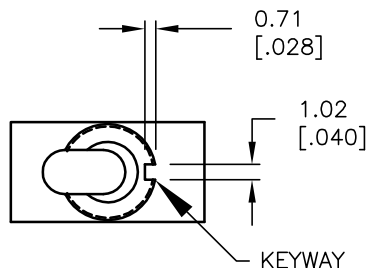


CIRCUIT: SPDT

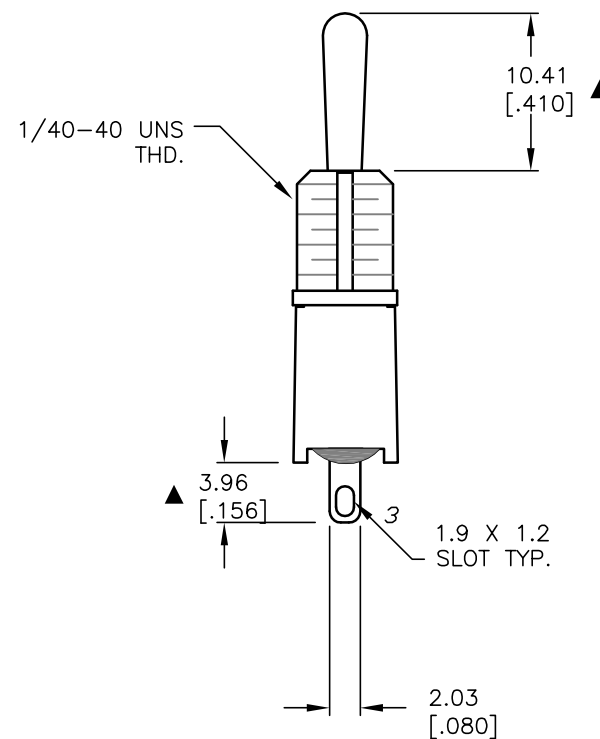
SWITCH FUNCTION		
POS. 1	POS. 2	POS. 3
ON	OFF	ON
2-3	OPEN	2-1

NOTES:

1. ALL DIMENSIONS IN MM [INCH]
2. GENERAL TOLERANCE: X.X=±0.4  
X.XX=±0.25
3. TERMINAL NUMBERS FOR REF ONLY
- ▲ 4. RATING: 0.4 VOLT-AMPS MAX. @ 20V MAX AC OR DC
5. FIXED TERM. & MOVING CONTACT:  
COPPER Alloy W/GOLD PLATE OVER NICKLE PLATE
6. ELECTRIC LIFE: 40,000 MAKE-AND-BREAK CYCLES  
AT FULL LOAD.
7. INSULATION RESISTANCE: 1,000 MEGA-OHM MIN.
8. DIELECTRIC STRENGTH: 1,000 V RMS @SEA LEVEL.
9. OPERATING TEMP.: -30°C TO 85°C
10. ▲ DENOTES CRITICAL PARAMETER.



BOTTOM VIEW



**E-SWITCH®**

TITLE					100AWSP5T1B1M1RE				
SCALE	2:1	DATE	10/14/03	DR	AR	DWG	T105006	REV	A

A	13535	RELEASED FOR PRODUCTION	10/14/03	AR
REV.	ECN No.	DESCRIPTION	DATE	CHKD
THE INFORMATION CONTAINED IN THIS DOCUMENT IS PROPRIETARY TO E-SWITCH AND IS NOT TO BE COPIED OR TRANSFERRED				